



The Platt Marine mount combines a sturdy deck-mounted Pedestal with 40-50 Softmount or any mounting systems with G3 cone to provide a machine gun mount that is dependable and recoil-absorbing, ensuring maximum controllability and accuracy. Constructed of stainless steel to withstand the rigours of operations at sea, the Platt marine pedestal bolts directly to a standard naval mounting plate or specified surface.

## KEY FEATURES

- Low profile and modular design
- Fixed and height-adjustable pedestal
- Optional front shield STANAG level 1,2,3
- Low maintenance and easy integration and installation
- Extra capabilities available (e.g. catch-bag, sight bracket)
- Applications: small patrol boats or larger combat ships

## Technical Specifications

- Weapons fit:** MAG58/M240; Minimi/M249; M2QCB 12.7mm; MK19 40mm AGL
- Weight:** 65kg (excluding weapon)
- Elevation/Depression:** +30°/-30°
- Traverse:** 360° (adjustable at 10° increments)

## MARINE PEDESTAL



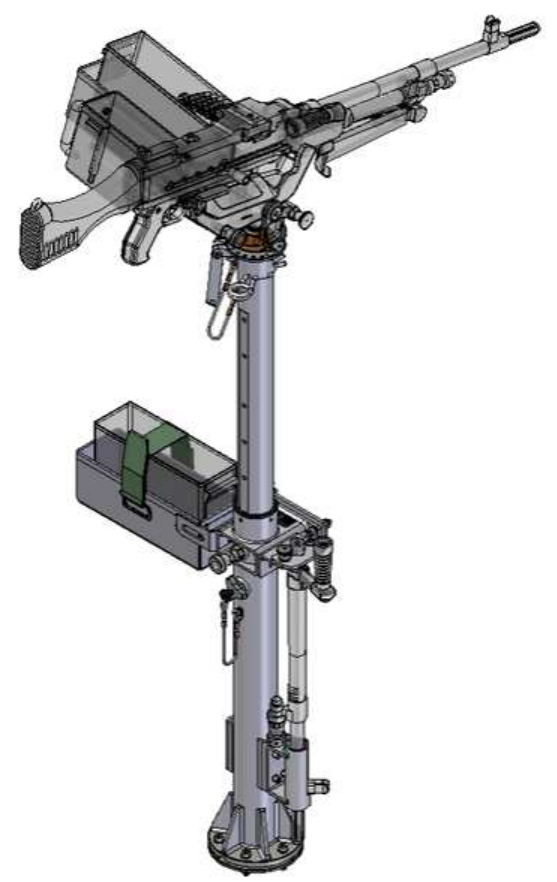
*Pedestal Softmount without front shield*



*Pedestal Softmount with front shield and short pedestal*



*Pedestal Softmount with Ammunition catch-bag*



*Height-adjustable pedestal with spare ammunition can*

In service with  
**AUSTRALIAN CUSTOMS**

## FOLDAWAY MOUNT



Foldaway mount is an ideal solution for a lightweight, cost-effective and quick-detach machine gun mount, suitable for naval and coast guard platforms.

### Technical Specifications

- Weapons:** MAG58/M240, Minimi/M249
- Weight:** 15kg
- Elevation/Depression:** +60°/-20°
- Required structure:** top rail/post access, minimum thickness 6mm

