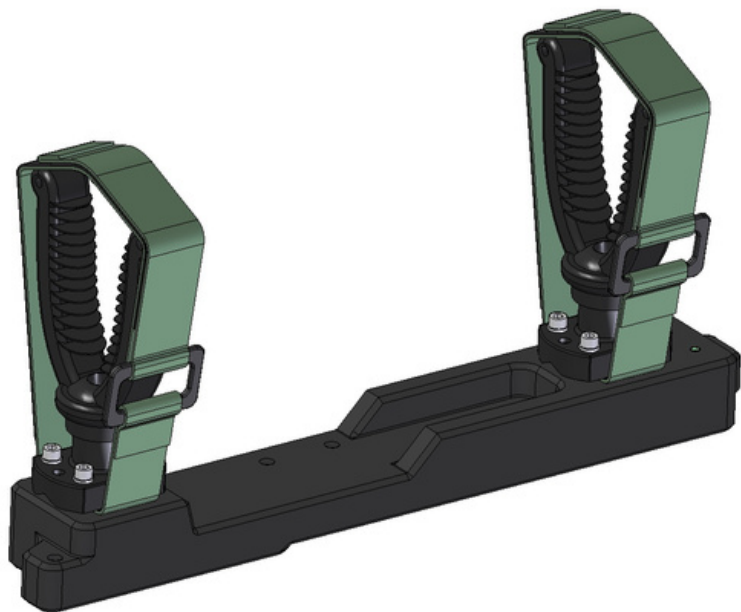




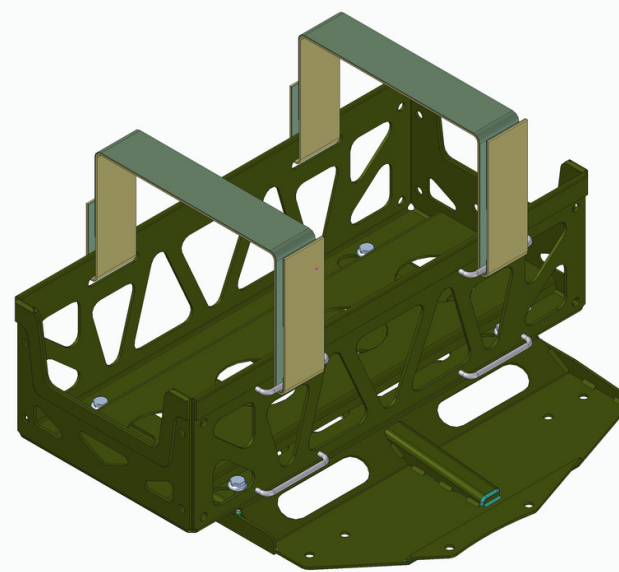
The Platt optional extra capabilities were developed as a result of customer demand and beyond for Ring Mount gunners. Accessories enable customers to achieve special requirements in addition to existing standard Ring Mount features which aims to enhance comfort, optional effectiveness and accomplishment.

## THE CURRENT PORTFOLIO INCLUDES:

- Personal Weapon Holder
- Ammunition Storage Basket
- Cage Type Wire Cutter
- Main Shield Kit (STANAG Level 1,2,3)
- Front Shield Kit (STANAG Level 1,2,3)



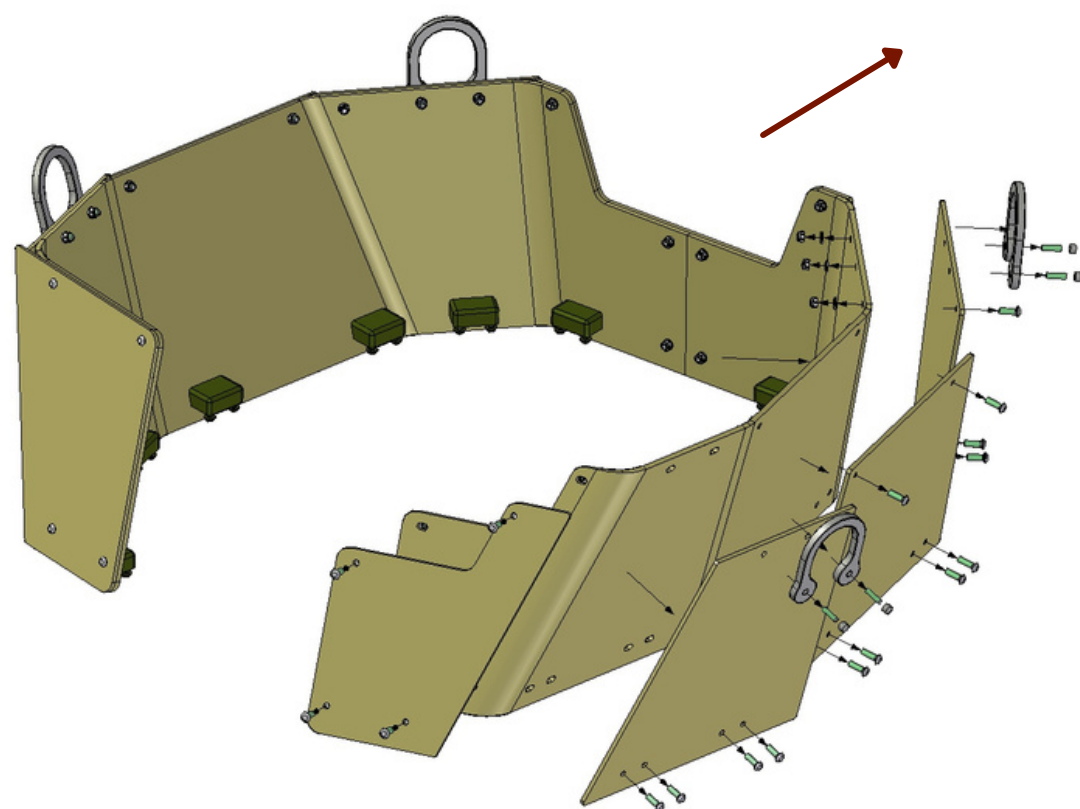
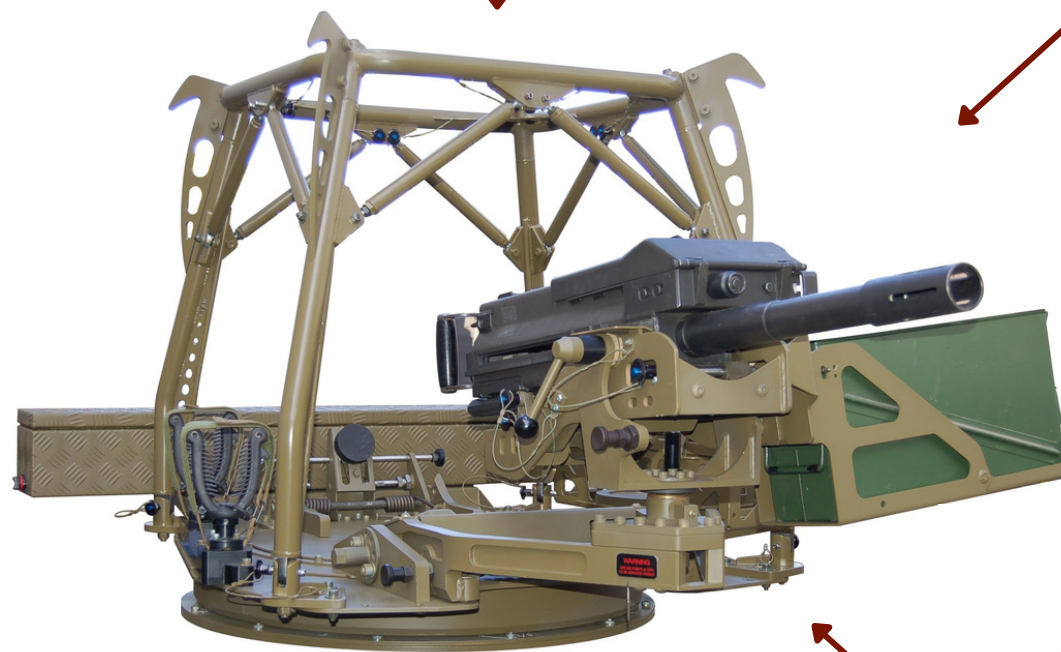
**Personal Weapon Holder**



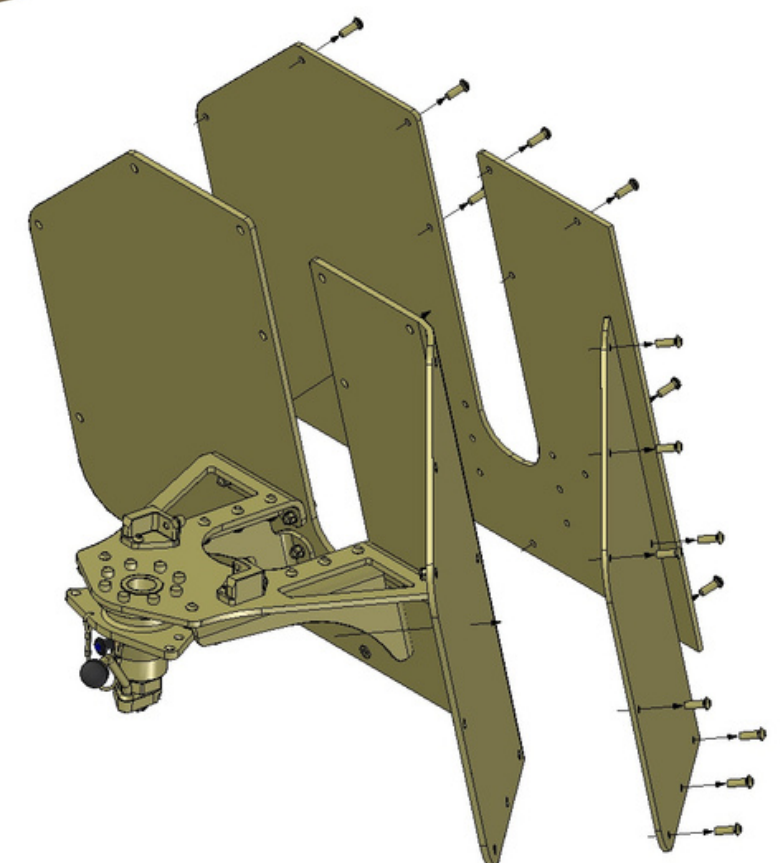
**Ammunition Storage Basket**



**Cage Type Wire Cutter**



**Main Shield Kit** (STANAG Level 1, 2, 3)



**Front Shield Kit**  
(STANAG Level 1, 2, 3)



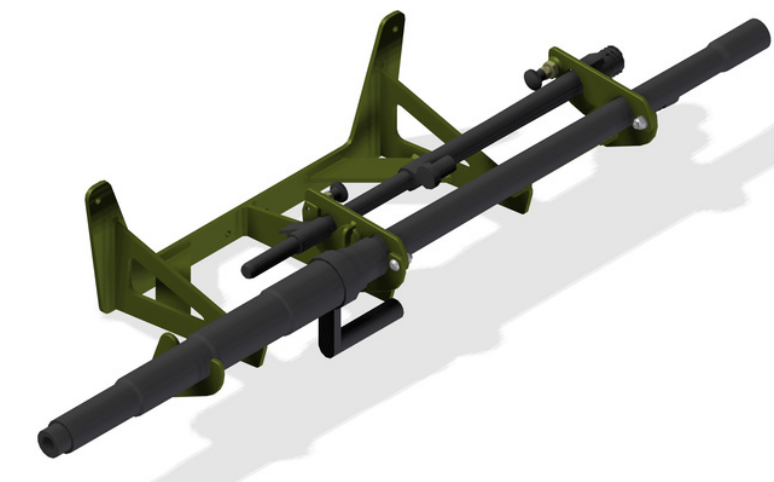




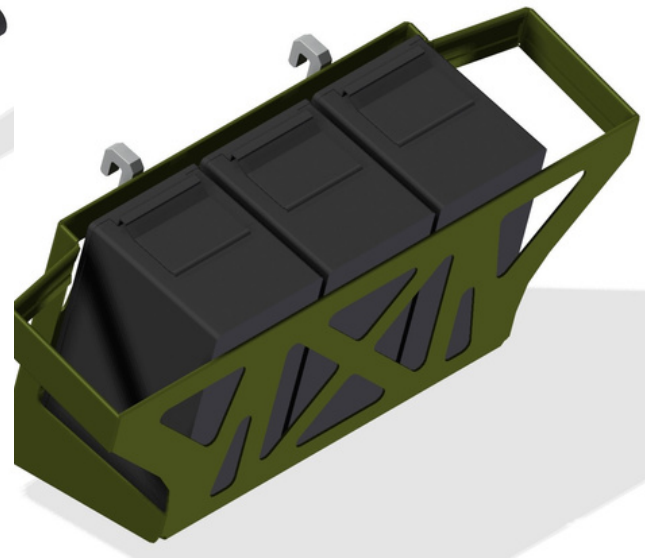
The Platt optional extra capabilities were developed as a result of customer demand and beyond for ring mount gunners. Accessories enable customers to achieve special requirements in addition to existing standard ring mount features which aims to enhance comfort, optional effectiveness and accomplishment.

## THE CURRENT PORTFOLIO INCLUDES:

- Spare Barrel Holder
- Ammunition Stowage Basket
- Retractable Wire Cutter
- Planetary Gearbox
- T&E Mechanism
- Personal Weapon Holder
- Rigid Sling Seat
- Spent Case Catcher
- Gunner Foot Stand
- Overhead Protection Kit
- Protected Weather Cover
- Sun/Rain Cover



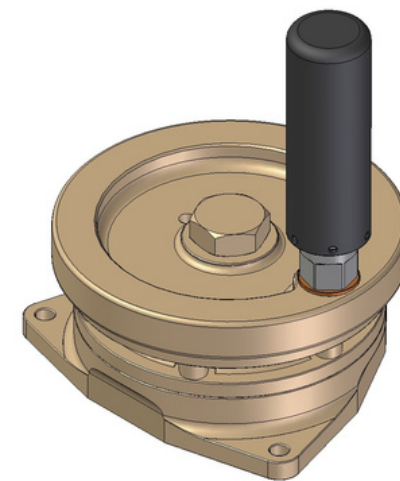
**Spare Barrel Holder**



**Stowage Basket**



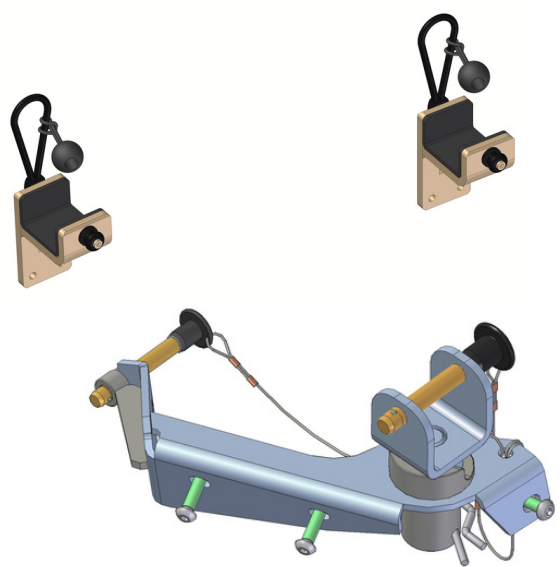
**Retractable Wire Cutter  
(front and rear)**



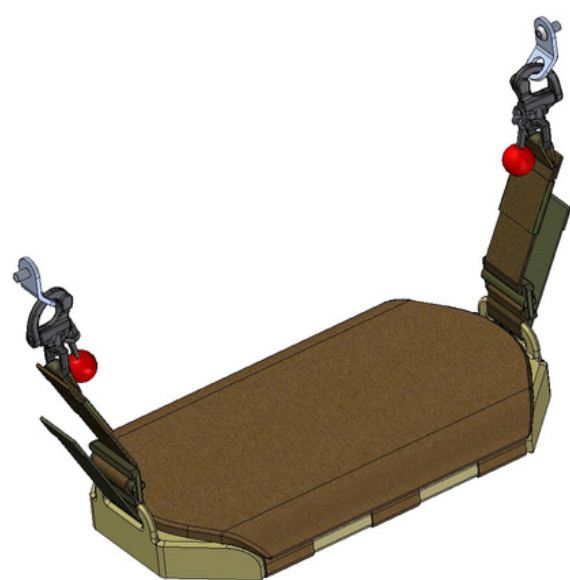
**Gearbox  
(Direct drive, Planetary & B.S.O Gearbox)**



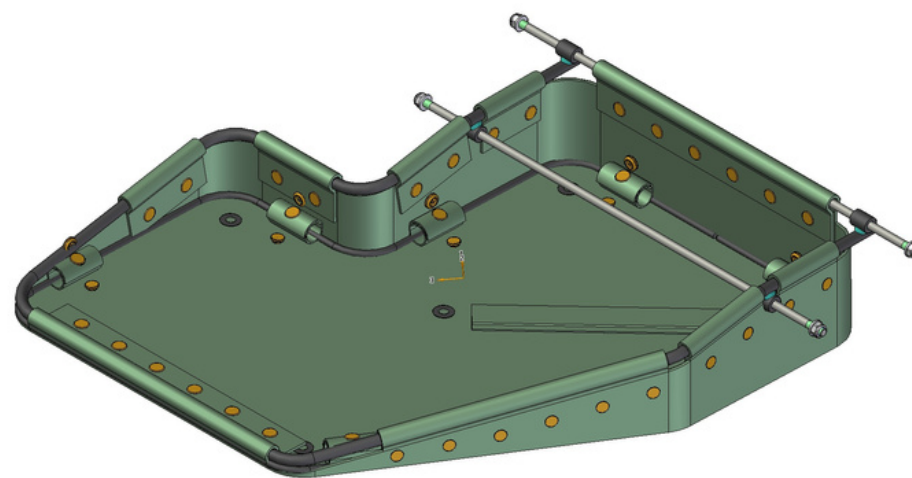
**T&E Mechanism**



**Personal Weapon Holder**



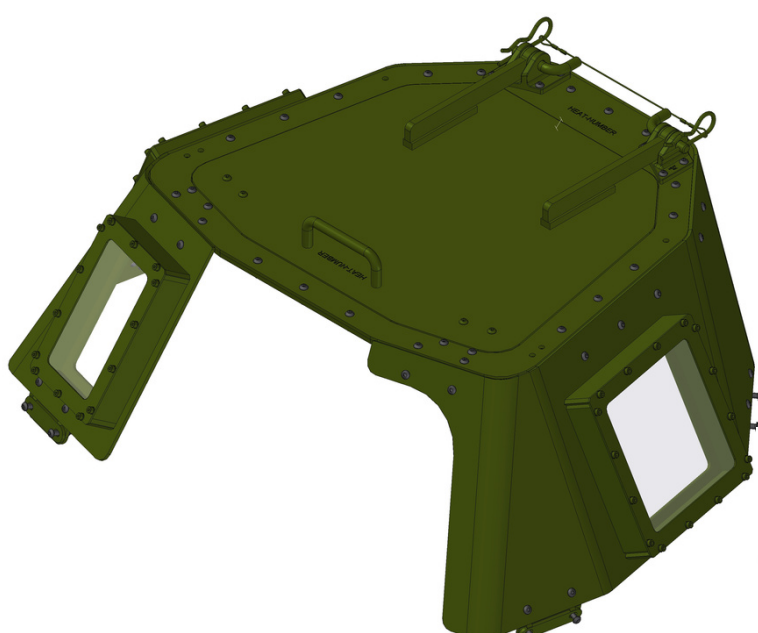
**Rigid Sling Seat**



**Spent Case Catcher**



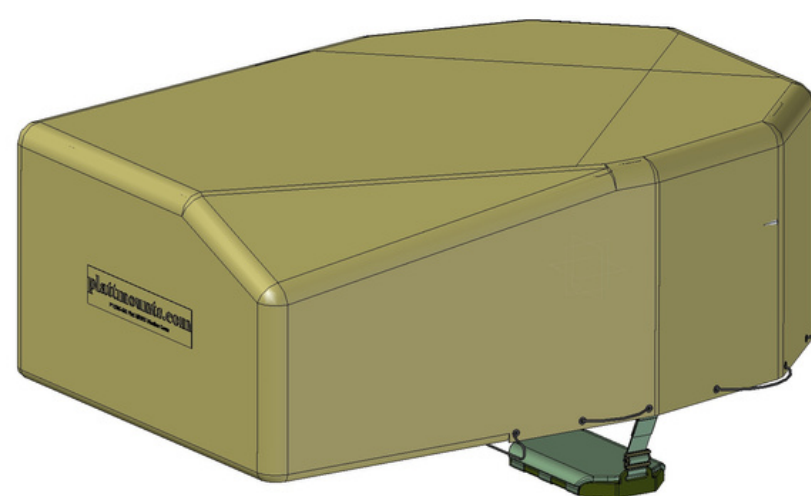
**Gunner Foot Stand**



**Overhead Protection Kit**



**Protected Weather Cover**



**Rain/Sun Cover**







Designed to reduce operator fatigue, the Platt eDrive system enables the operator to traverse weapon stations with heavy payloads on gradients from 0° to 30° elevation via simple joystick inputs.

## KEY FEATURES

- Powered by self-contained 24VDC battery pack. No slip ring requirements
- Zero intrusion into vehicle cabin space
- Batteries recharged by 28VDC vehicle power supply at 0.5-5A (max) or optional Solar charging
- Systems Control Module provides DC power for various weapon station electrical ancillaries
- Joystick 'dead-man' switch prevents uncontrolled weapon station traverse
- Emergency stop button
- Resettable Circuit Breaker protection
- Brightness controlled 10 Bar LED display of Battery Pack Voltage status
- Variable Weapon station rotation speeds between approx. 0.8 - 9RPM (configuration dependent)
- Retrofittable to existing Platt weapon stations solutions
- MIL-STD-461 compliance
- Systems available with operating temperature limits of -40° /+80°



Up to 2 hours of stand-alone battery powered operation



Payloads at 30° gradient



MR550 Ring Mount with Minigun and eDrive







The Platt Cage Type Wire Cutter is the lightest and most robust wire cutter kit designed to offer protection to the operator from high tensile wire threats in combat environments.

## KEY FEATURES

- Super light weight and high strength
- Corrosion resistant
- Capable of accepting attachable accessories to its frames
- Capable of defeating all specified wire types
- Cost effective spares options due to modular design
- Modular design allows for easy configuration, adaptation of future armour and other system upgrades

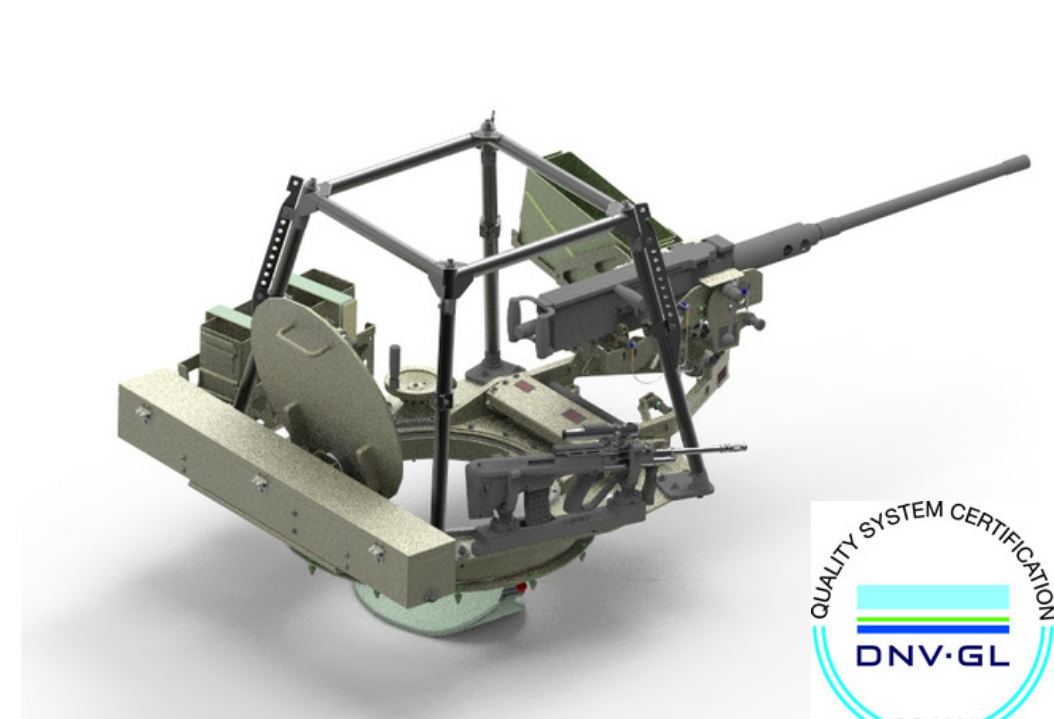
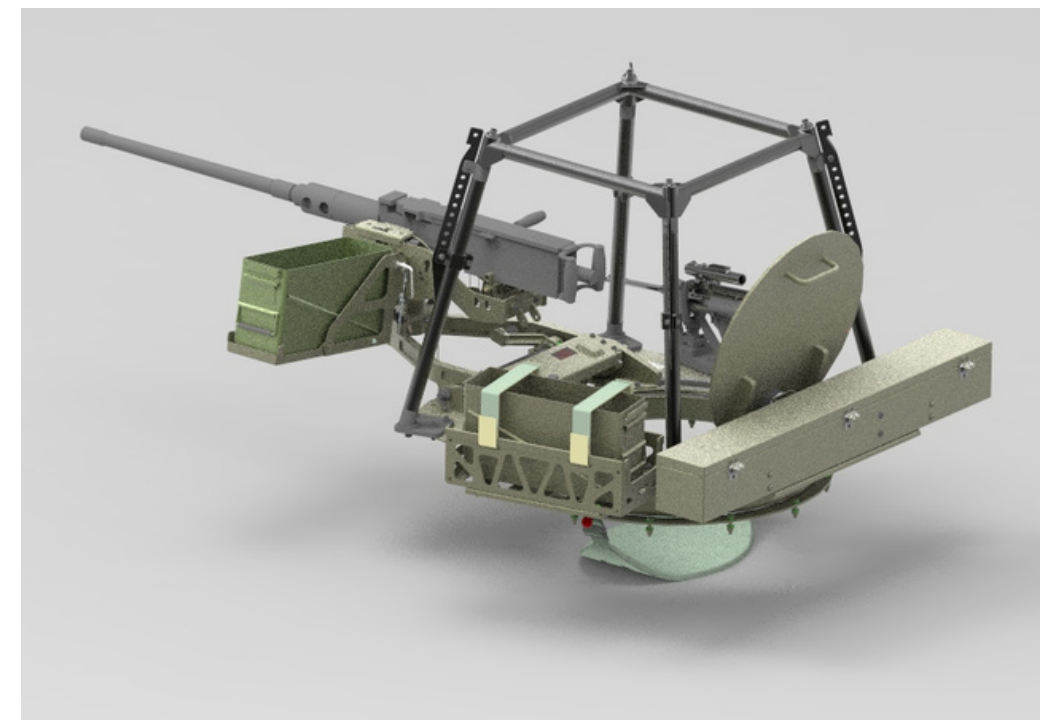
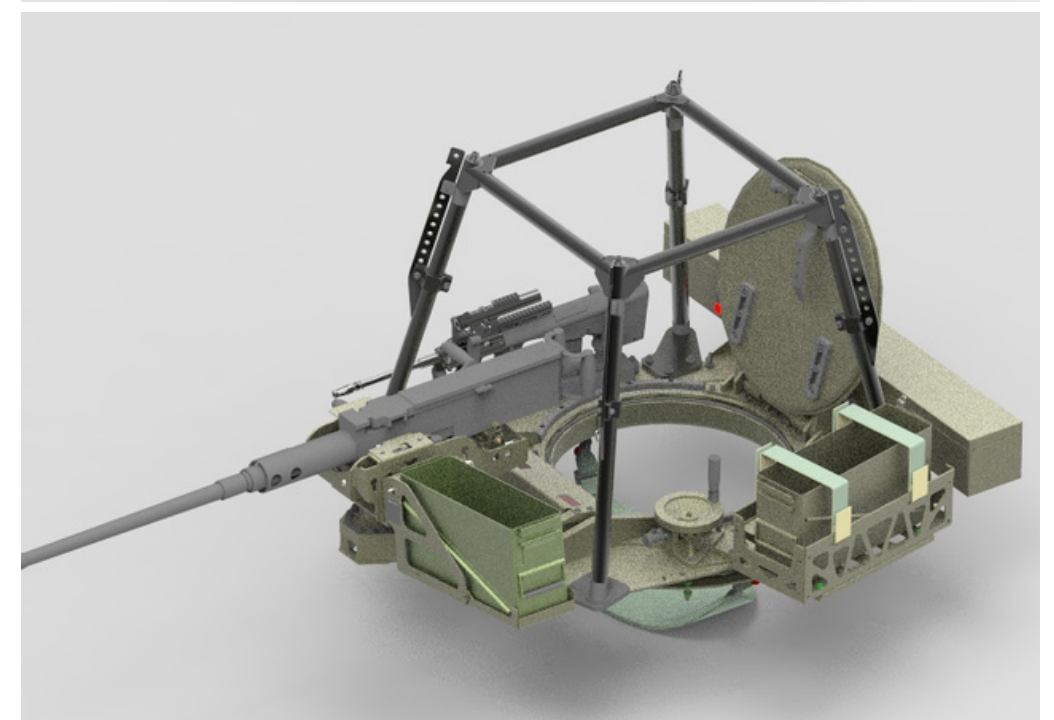
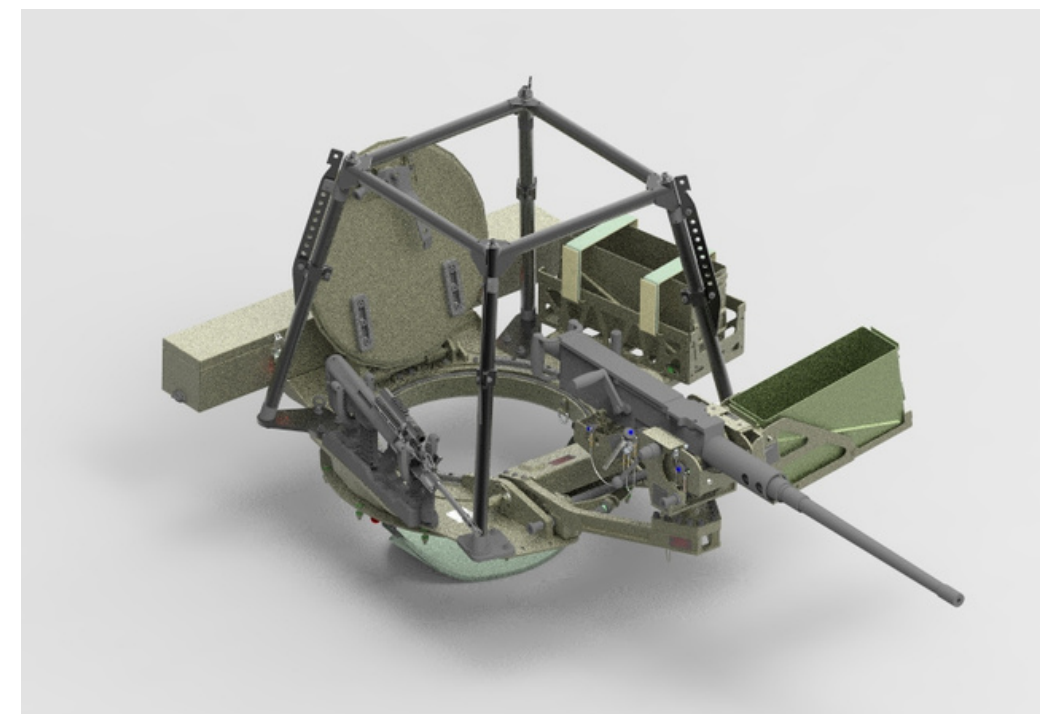
Removal of 8 screws allows Flat-packing down to 300mm high x 800mm x 800mm



The Platt **CAGE TYPE WIRE CUTTER** bolted on MR550 unshielded Ring Mount. Symmetric design allows for any orientation of fitment to ring mount.

## Technical Specifications

<b>Weight:</b>	~12kg
<b>Cut capability:</b>	10kN, 3.2mm diameter High Tensile Steel wire
<b>Construction:</b>	Cutting blade constructed from High Tensile Steel
<b>Construction:</b>	Cage constructed from Carbon Fibre tube with Aluminium connecting nodes <i>Other options:</i> Aluminium, Stainless Steel
<b>Length:</b>	Variable wire cutter blade length options available





# GUNNER FOOT STAND



The Platt Gunner's Foot Stand was developed as a result of customer demand for an adjustable platform for gunners to stand on for additional vertical reach. Compact in size and uncomplicated in operation, the Gunner Foot Stand is designed for ease of use and maximum versatility to suit various soldier heights and constructed out of high-strength aluminium to both minimise weight and ensure a long service life. The Gunner Foot Stand is available in a range of durable colour finishes to suit customer requirements.



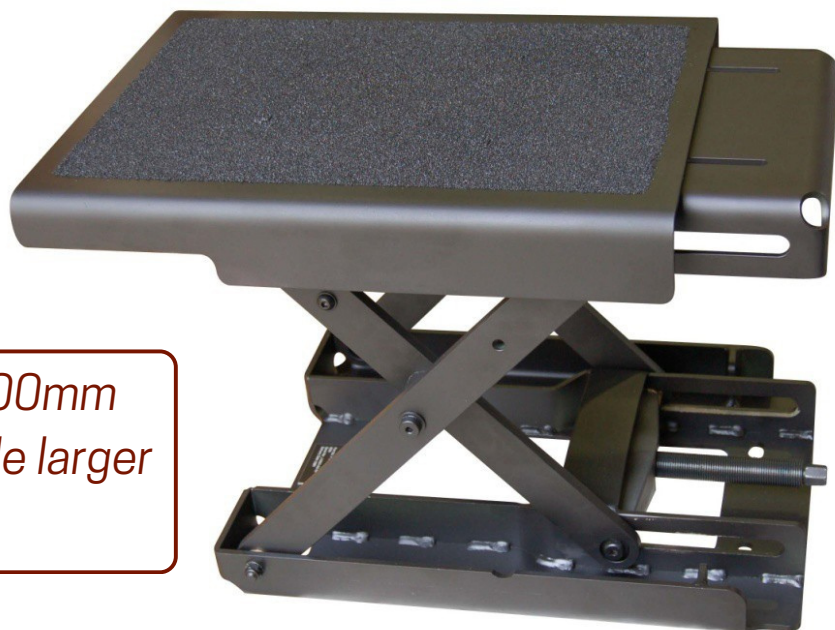
Maximum lowered height



Medium raised height



Maximum raised height



Top plate slides 100mm left/right to provide larger surface area

**Non-Slip Surface Options:**

- Sand Grip
- Checker Plate



Side view of maximum height

Adjustable using a 16mm AF wrench



## Technical Specifications

<b>Base:</b>	349mm x 467mm
<b>Weight:</b>	~18.8 kg
<b>Top Plate:</b>	368mm x 475mm
<b>Maximum Raised Height:</b>	372mm
<b>Minimum Lowered Height:</b>	117mm
<b>Part Number:</b>	P10540-AL

