



The Platt Ring Mount is a one-man lightweight, low profile and versatile weapon station designed to suit a variety of military vehicles. The system is fully scalable to meet the needs of modern warfare and has proven to be a reliable and highly functional system in the most demanding and diverse operational conditions. The portfolio includes MR, FW and TD series capable of mounting various weapon platforms.

Currently in service with Australian Army's New Hawkei PMV-L

KEY FEATURES

- Armour shield with various protection levels up to STANAG Level 3
- Fitted 40-50 Soft Mount compatible with LMGs, GPMGs, HMGs and 40mm GMGs
- Cost-effective, lightweight and modular design
- Low maintenance and easy integration and installation
- Extra optional capabilities available to meet specific requirements
- Electric Drive (eDrive) & Minigun capabilities
- Twin weapons compatibility



Customer customisation available upon request



Supacat RSV

FW SERIES RING MOUNT



GDLS LAV II

TD SERIES RING MOUNT



Thales Hawkei PMV-L

MR SERIES RING MOUNT

Tested in battle
with Coalition
Forces
in Iraq and
Afghanistan





W&E Platt has a long history of supplying combat proven ring mounts to land forces worldwide. The Platt Ring Mounts are currently fitted to the Australian Army's Bushmaster/Supacat/Hawkei; New Zealand's MAN Truck; British Army's Warthog/Viking/Bronco/FV430 Bulldog; US Army's Stryker; Canadian Army's Cougar; Netherlands and Swedish Army's Viking BvS10; Finnish Army's RG32M; Spanish Army's Piranha IIIC; Romanian Army's Piranha V; UN peacekeeping mission's Piranha; Peruvian Army's Caiman LAVIII; Brazilian Army's Guarani/Piranha IIIC; South African Army's Mountain Lion; UAE Army's Agrab Mk2; Malaysian Army's APC

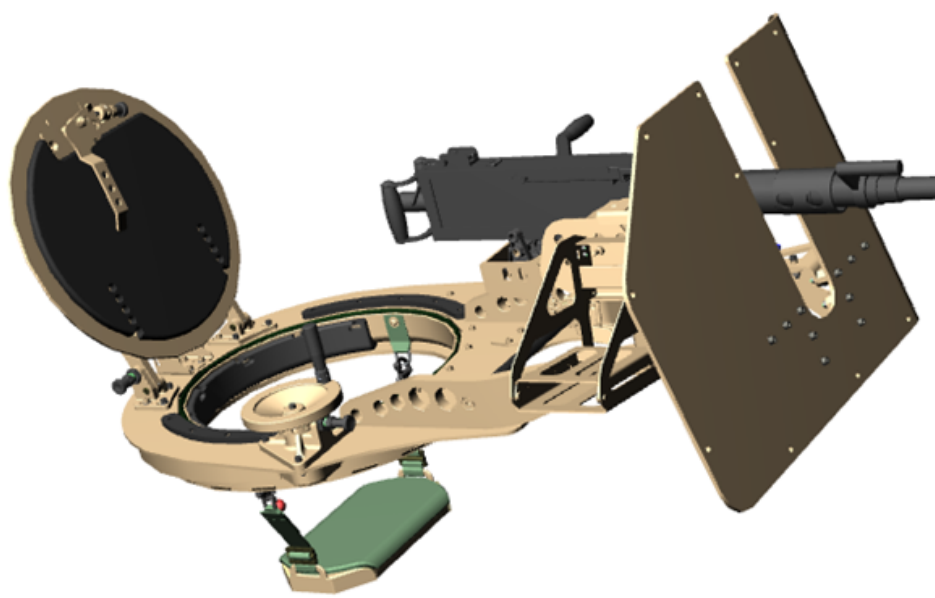
Customer customisation available upon request

FW SERIES RING MOUNT



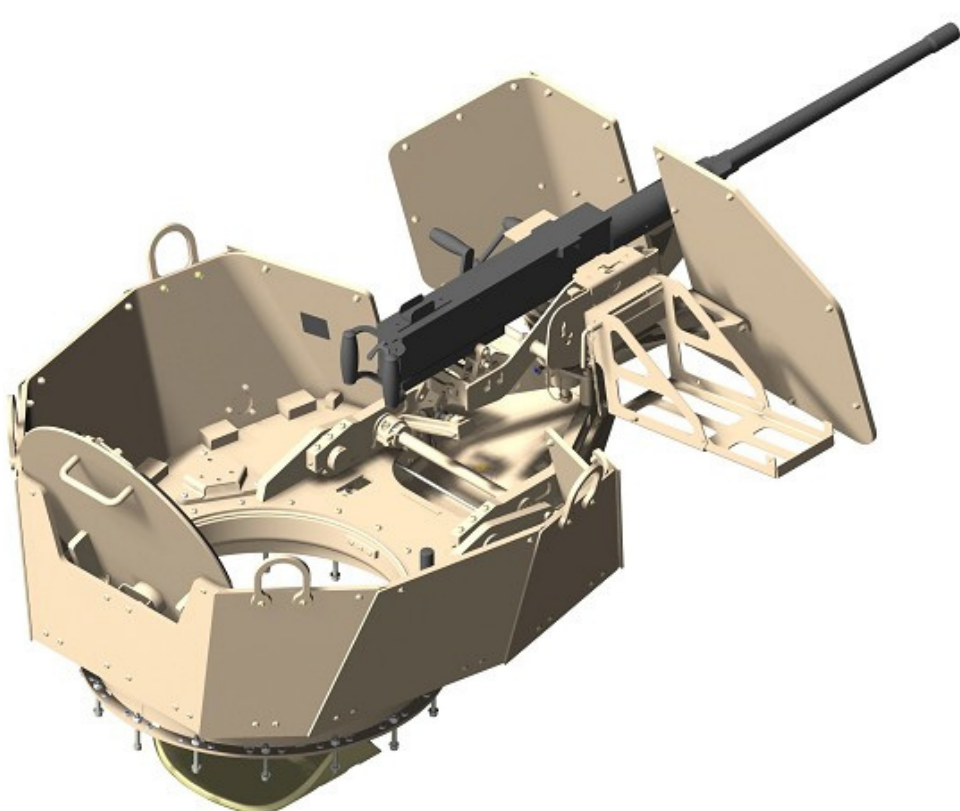
APERTURE	MASS	WEAPONS	PROTECTION
Ø 550 mm Ø 655 mm Ø 800 mm	~125kg (Accessories dependant)	40-50 Soft Mount to accept 5.56mm - 40mm MGs	Unprotected
ROTATION	ELEVATION DEPRESSION	MODULARITY	OPTIONS
360° continuous via direct drive Gearbox	+60°/-30° (Weapon dependant)	Functionality Scalability Customisation	Various extra capabilities available on specifications

TD SERIES RING MOUNT



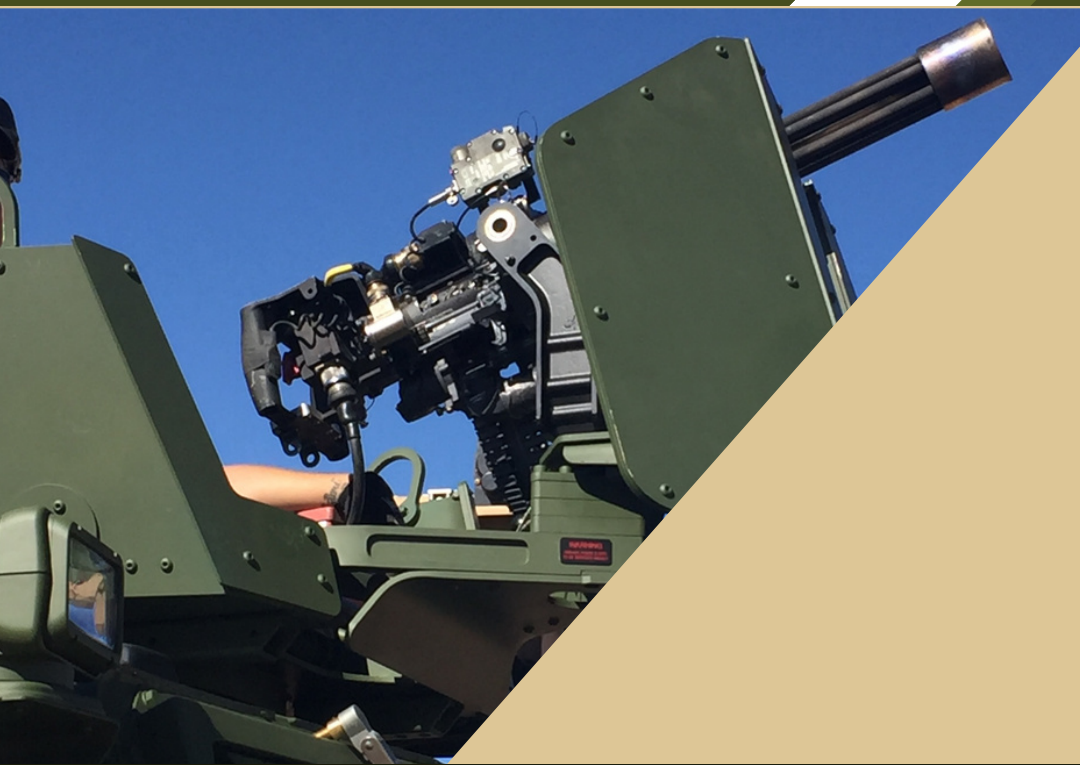
APERTURE	MASS	WEAPONS	PROTECTION
Ø 550 mm Ø 655 mm Ø 800 mm	~165kg (Protection level dependant) (Accessories dependant)	40-50 Soft Mount to accept 5.56mm - 40mm MGs	Open ring with hatch Optional front shield STANAG Level 1,2
ROTATION	ELEVATION DEPRESSION	MODULARITY	OPTIONS
360° continuous via direct drive Gearbox	+60°/-30° (Weapon dependant)	Functionality Scalability Customisation	Various extra capabilities available on specifications

MR SERIES RING MOUNT



APERTURE	MASS	WEAPONS	PROTECTION
Ø 550 mm Ø 655 mm Ø 800 mm	165kg - 470kg (Protection level dependant) (Accessories dependant)	40-50 Soft Mount to accept 5.56mm - 40mm MGs	STANAG Level 1, 2, 3
ROTATION	ELEVATION DEPRESSION	MODULARITY	OPTIONS
360° continuous via direct drive Gearbox	+60°/-30° (Weapon dependant)	Functionality Scalability Customisation	Various extra capabilities available on specifications

MR series Ring Mount with Minigun



The Platt MR series protected Ring Mount is the most combat proven and widely adopted manned weapon station family in use today. Lightweight, modular and manually-operated, the Platt Minigun Ring Mount is specifically designed to accept DillonAero M134D Minigun, the world's most reliable weapon system. Tested in battle with Coalition Forces in Iraq and Afghanistan, the Platt MR series protected Ring Mount has proven itself to be a highly functional system, under the most arduous of operation conditions.

KEY FEATURES

- Low profile, stability, dependable
- Modular design, scalable armour (up to protection STANAG Level 3)
- Integrated NATO G3 cone
- Ammo can holder of 3,000 rounds
- Fitted for the world's most devastating close-range fire weapon system.



Finnish RG32M armed with M134 Minigun mounted on Platt MR550 protected Ring Mount

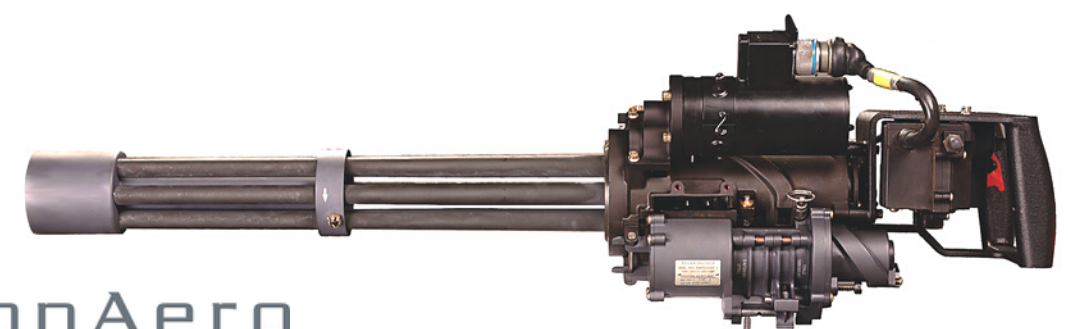


*Optional Extras are available for the Ring Mount subject to specific requirements



Technical Specifications

Dimension (L x W x H):	5.56mm, 7.62mm, 12.7mm, 40mm
Weight:	250kg (STANAG Level 1)
Elevation/Depression:	+60° to -20°
Traverse:	360°
Ammunition capacity:	3,000 rounds



DillonAero

DillonAero electronically driven M134D Minigun can achieve the extreme shot density needed to suppress multiple targets in a compressed period of time.



MR660 MOD1

BASE MODEL LIGHTWEIGHT RING MOUNT



The Platt MR660 MOD1 Ring Mount is a lightweight partial protection manned weapon mount designed for light armoured vehicles. In ongoing production for more than a decade, the MR660 MOD1 is the primary manned weapon station on Australian Army Bushmaster 4x4 protected mobility vehicles, with more than 1,400 units delivered to date. On Bushmaster, the MR660 MOD1 Ring Mount has proven itself on operations in Iraq and Afghanistan, where it fulfills the direct fire support and vehicle self-defence roles.

KEY FEATURES

- Manual rotation
- Cost-effective, lightweight, modular design
- Armoured hatch with STANAG Level 1
- Robust 7.62mm weapon cradle
- Optional shield kit STANAG Level 1



Weapon cradle assembly to provide maximum controllability for the gunner and can be modified to adapt PKM, MG3 and M60 MGs



Technical Specifications

Weapons compatibility:	MAG58/M240; Minimi/249 (default) MG3, M60 and PKM (modified cradle)
Weight:	~98kg (STANAG Level 1)
Elevation/Depression:	+55° to -10°
Traverse:	360° (rotation stop can be added)
Part Number:	P10005



MR660 MOD1 on Australian Army Bushmaster since 2002



MR660 MOD1 on Japanese Army Bushmaster

