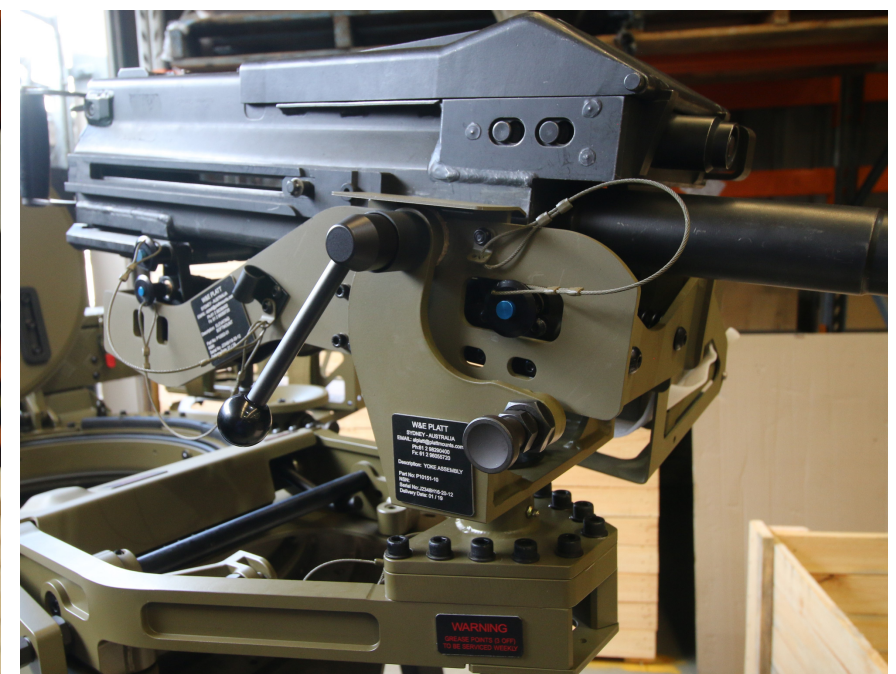
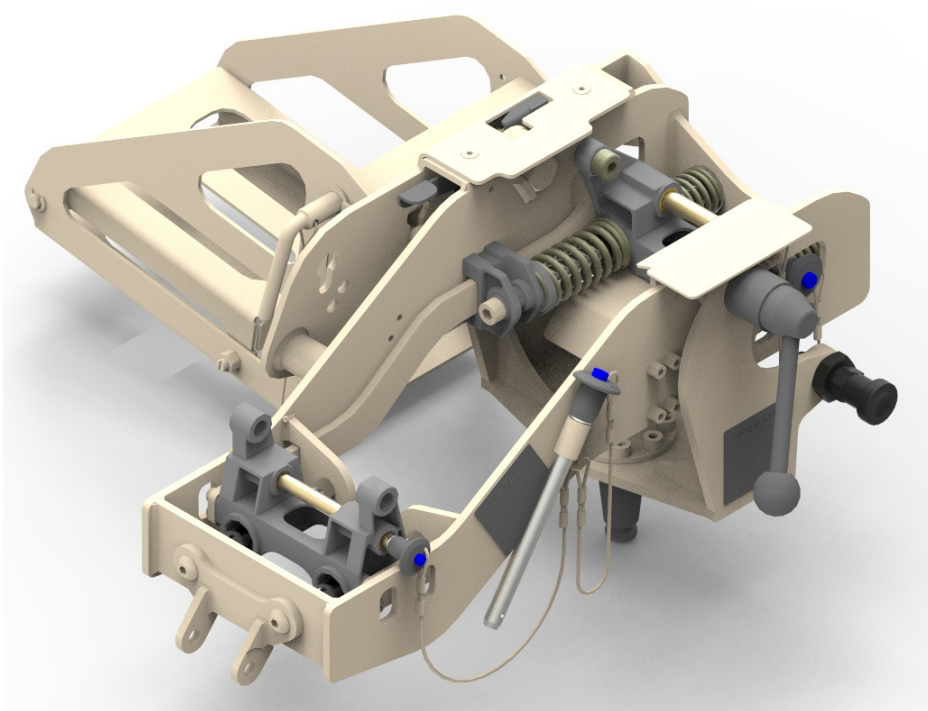




The Platt 40-50 Soft Mount is designed to accommodate a variety of machine guns from 5.56 mm all the way up to 40mm. Well balanced and of rugged construction, the Platt 40-50 Soft Mount effectively reduces recoil to maximise weapon controllability and firing accuracy; and provides a smoother operation of the weapon. The soft mount system interfaces with the M2/M3 tripod for use in the dismounted role.

The Platt 40-50 Soft Mount is combat proven and can be found across battle fields, fitted to land vehicles and marine vessels.



KEY FEATURES

- Bi-directional recoil-attenuation
- Fitted to any G3 cone receiver and MK16 MOD8 adaptable cone
- Adjustable elevation/depression tension
- 10° initial depression stop
- Requires no oiling or greasing
- Self-contained ammunition can holder
- Twin weapon compatibility

Technical Specifications

Weapons fit:	M2HB 12.7mm; M3D High-speed .50 Cal; MAG58/M240, Minimi/M249; MK19 40mm AGL; H&K GMG; MK47; M60; PKM; MG3; LAG40; CIS-40
Elevation:	+40°
Depression:	-10° Stop/ -30° Override
Weapon Traverse:	360° (application dependent)
Mounting Pin Type:	M3 NATO Pintle/ MK16 MOD8 Pintle
Weight:	23 kg (excluding weapon and adaptor)
Part Number:	P10552-10

The Platt **Twin Soft Mount (Maximus)** is designed to accept twin M2HB 12.7mm; MK19/GMG 40mm grenade launchers; MAG58/M240 & Minimi MGs, provides devastating firepower overmatch.

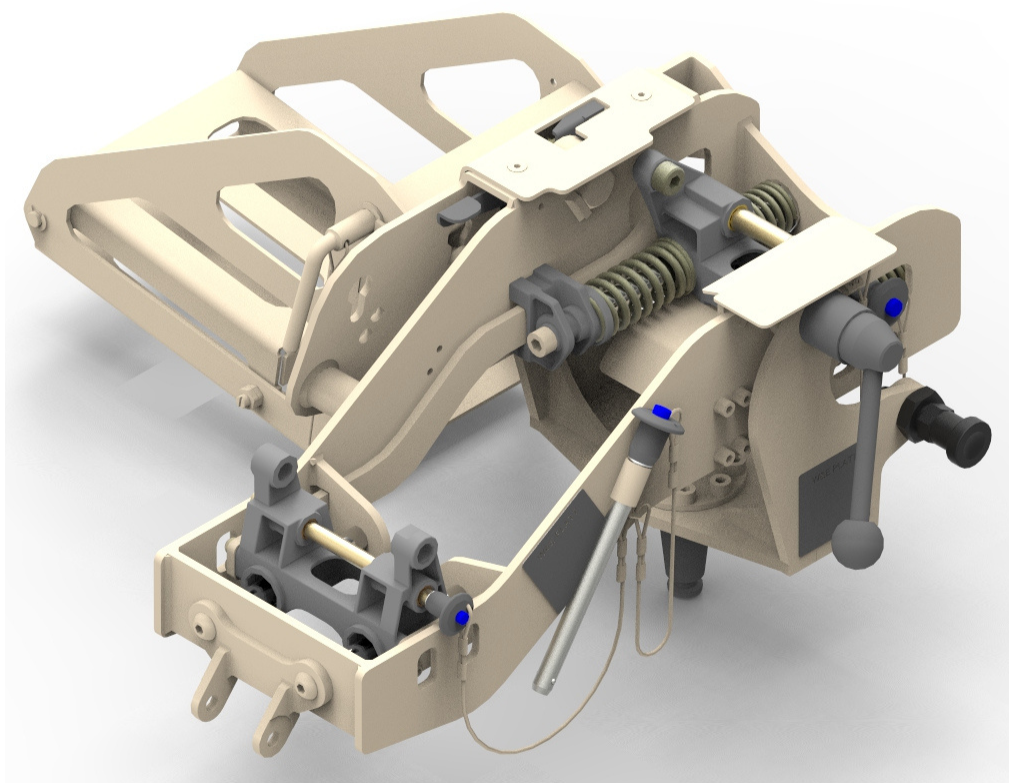




The Platt 40-50 Soft Mount is designed to accommodate a variety of machine guns from 5.56 mm all the way up to 40mm. A range of gun adaptors are designed to fit current weapons including:

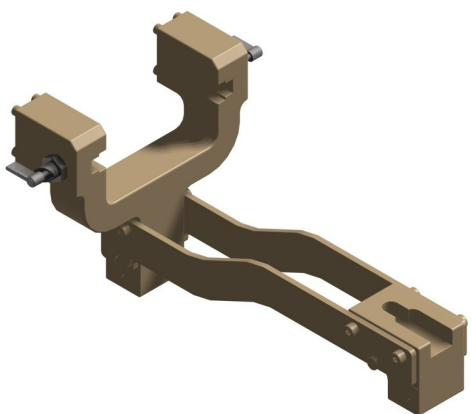
- | | |
|--------------------|---------------|
| H&K GMG | PKM |
| M240/M249 | MG3 |
| MK47 | LAG40 |
| M60 | CIS-40 |

No Adaptors required for **M2HB** HMG 12.7mm and **MK19** AGL 40mm

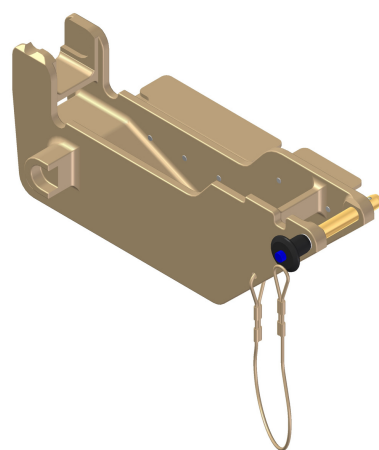


Customer customisation available upon request

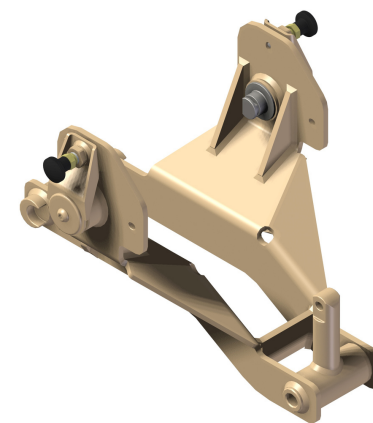
H&K GMG Adaptor
Part No. P10423



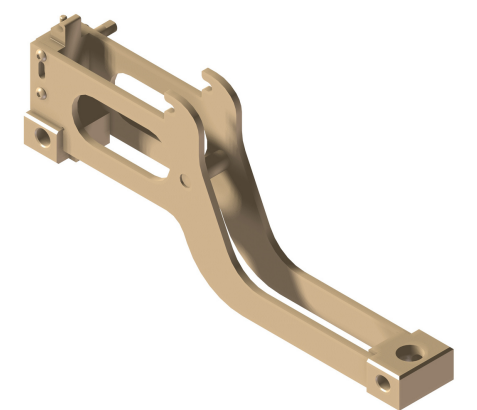
M240/M249/MK48 Adaptor
Part No. P10064-100



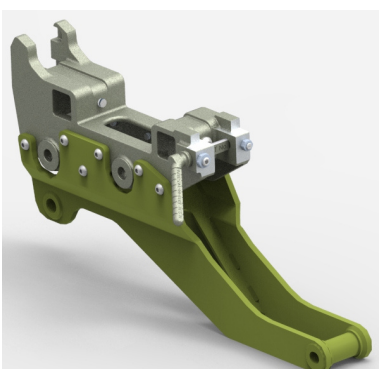
MK47 Adaptor
Part No. P10438



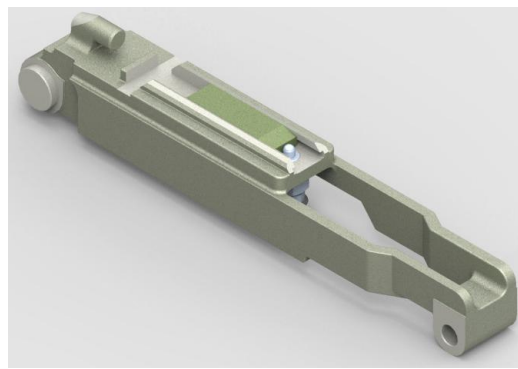
M60 Adaptor
Part No. P10279



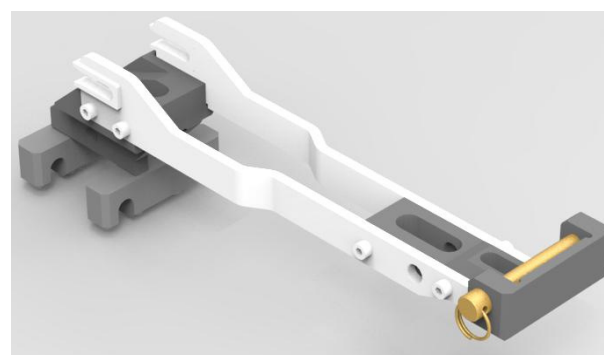
PKM Adaptor
Part No. P10574-50



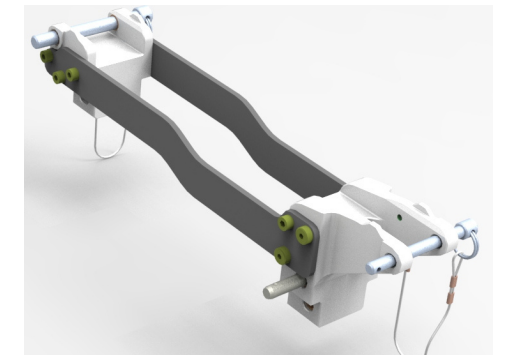
MG3 Adaptor
Part No. P10076-30



LAG40 Adaptor
Part No. P10196



CIS-40 Adaptor
Part No. P10588



ACCESSORIES

Extra Capabilities to fit on 40-50 Soft Mount include:

- **Shoulder bar** (Part No. P10516-100)
- **Sight bracket** (Part No. P10027)

*Shoulder bar and Sight bracket are available on separate offers or combination.

