

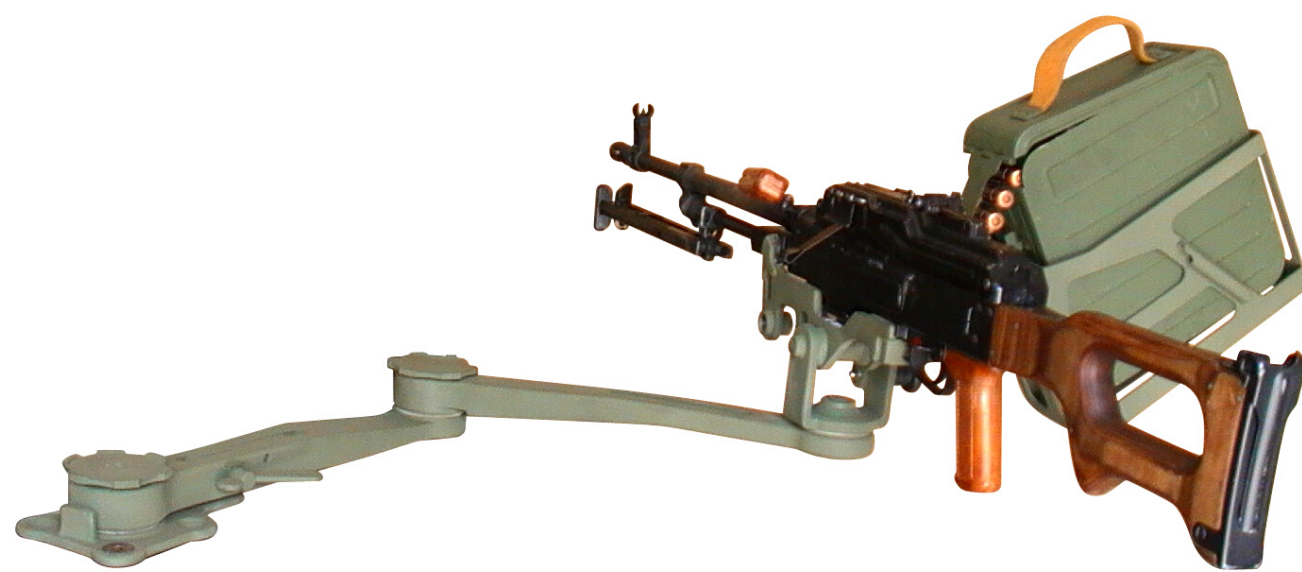


The Platt Swing Mount is designed to accommodate MAG58/M240 GPMG, Minimi/M249 light support weapon, PKM, M60, MG3, MG5, MK48 and Minimi 7.62mm machine guns. Constructed of either Stainless Steel or Aluminium, the double swing arm mount is ideal for installation on a wide variety of both soft-skinned and armoured vehicles.



Over
30,000
SOLD
worldwide

Combat Proven by Coalition Forces in the MEAO





KEY FEATURES

- Combat proven by Coalition Forces in the MEAO
- Modern and low profile design
- IC431 Stainless Steel or Aluminium
- Smooth and reliable function through the use of bearing pivot points
- Maintenance-free
- Suitable for both Land and Sea platforms

Technical Specifications

Weapons fit: MAG58/M240, Minimi/M249, PKM, MG3, MG5, M60, MK48 and Minimi 7.62mm

Ammunition Tray Capacity: 7.62mm / 5.56mm - 200 rounds

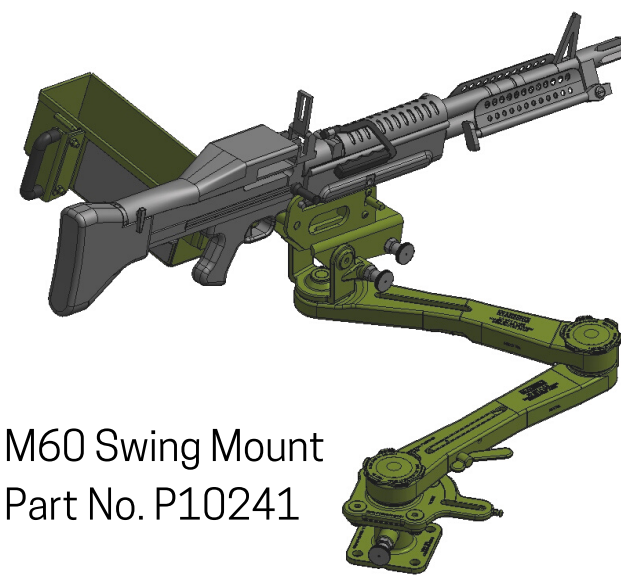
Elevation/Depression: +80°/-45°

Weapon Traverse: 360° depending on mounting position

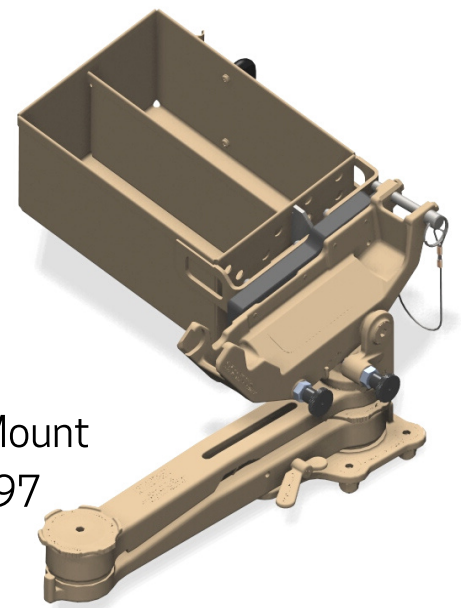
Stainless Steel Weight: 20kg (excluding weapon)

Aluminium Weight: 15kg (excluding weapon) Part No. P10040

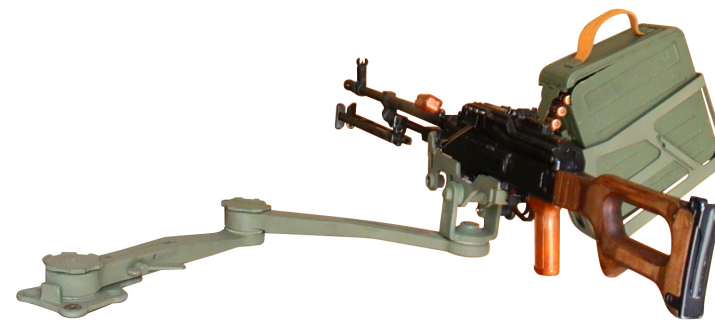
Customer customisation available upon request



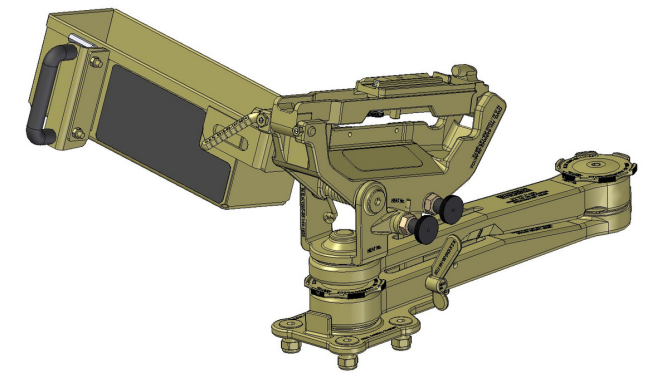
M60 Swing Mount
Part No. P10241



MK48 Swing Mount
Part No. P10197



PKM Swing Mount
Part No. P10352-350

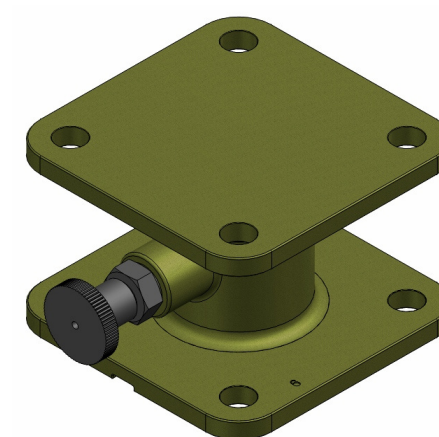


MG3 Swing Mount
Part No. P10076

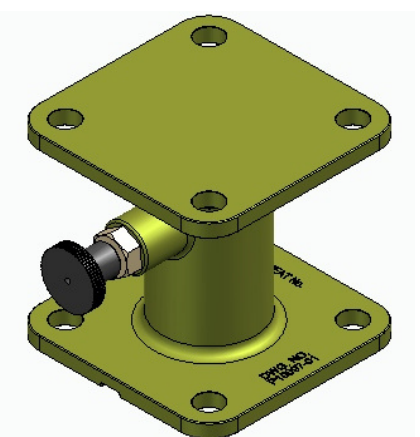
ADAPTORS

A range of adaptors are custom designed for Platt Swing Mounts to suit a wide variety of soft-skinned and armoured vehicles. Current capabilities include:

- **Separator LAV**
- **3 Inch / 4 Inch Separator**
- **Clamp-on 30** (for Vertical armour surface)
- **'B' Pillar Clamp-on** (Roll cage adaptor)
- **Adjustable pedestal**
- **Stryker Adaptors**



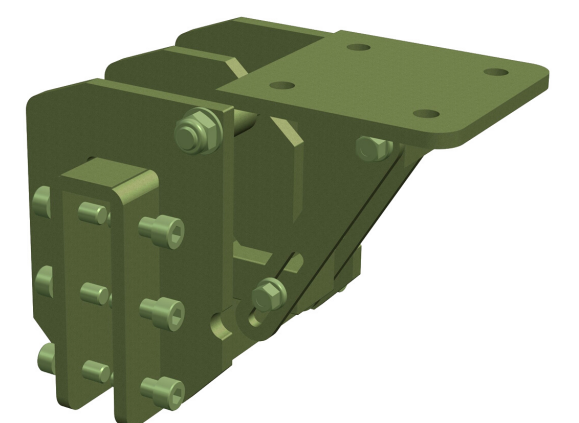
3 Inch Separator - Part No. P10091



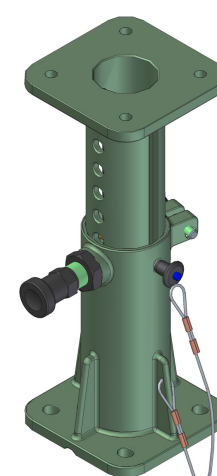
4 Inch Separator - Part No. P10097



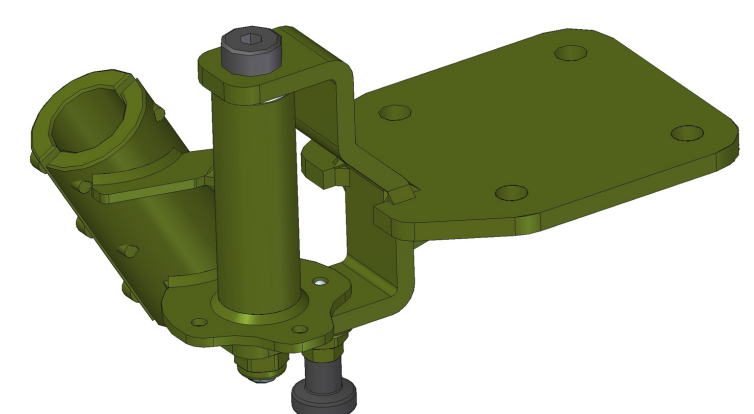
LAV Separator - Part No. P10090



Clamp-on 30 - Part No. P10052



Adjustable Pedestal
Part No. P10596-50



'B' Pillar Clamp-on
Part No. P10646



Clamp-on 30 bolted on the vertical shield surface (left);
'B' Pillar Clamp-on bolted on the roll bar (right)

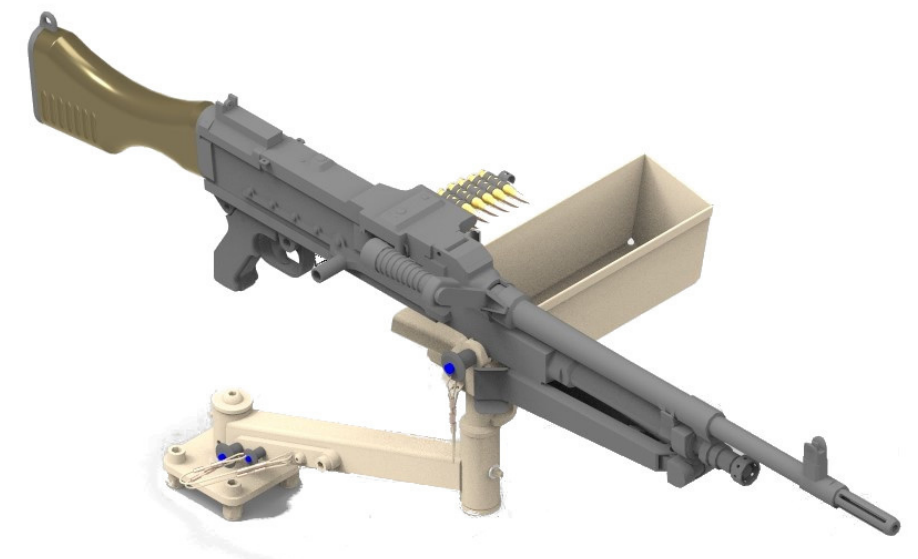
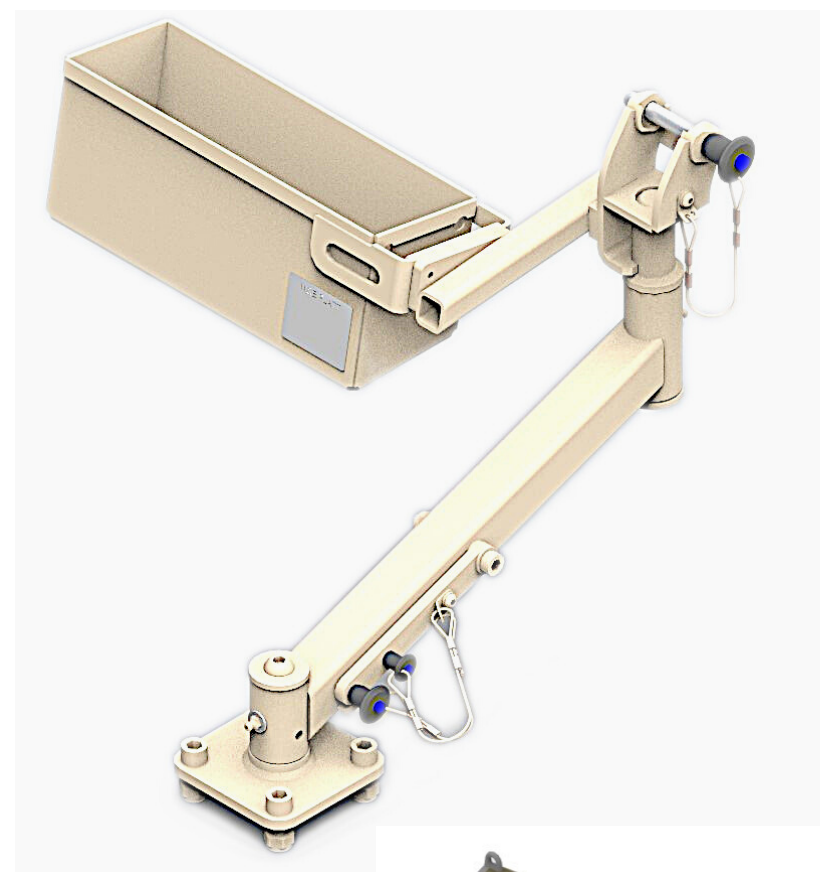
**Customer adaptation is available upon request*



The Platt Swing Arm Mount is a low cost variant of the Platt Swing Mount designed to accommodate MAG58/M240 GPMG, Minimi/M249 and PKM, machine guns. Constructed of Stainless Steel, the single swing arm mount is ideal for installation on utility vehicles where a low cost solution is required. The Platt Swing Arm Mount incorporates integrated travel lock and a standard ammunition can.

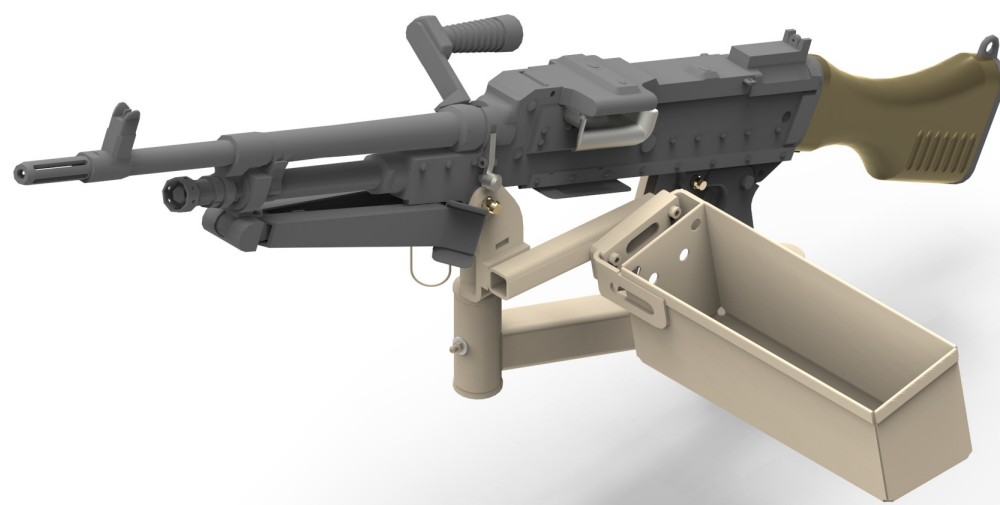
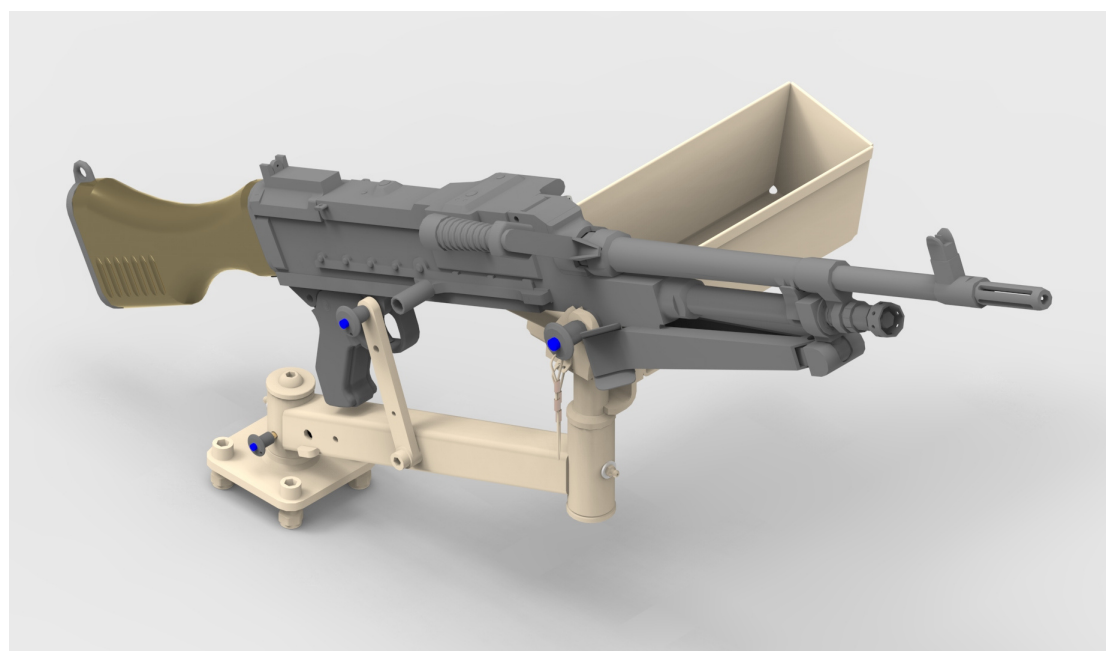
Technical Specifications

Weapons fit:	MAG58/M240, M249/Minimi, MK48/7.62 Minimi
Elevation/Depression:	+40°/-30°
Ammunition Tray Capacity:	7.62mm - 200 rounds
Weapon Traverse:	360° rotation
Weight:	8.5kg (excluding the weapon)
Part Number:	P10486-100



Customer customisation available upon request

Platt Swing Arm Mount at travel lock position



Low cost solution ideal for utility vehicle platforms

