



The Platt Pedestal is a lightweight, fixed-height and versatile support design to mount to any rigid surface of the military vehicles and naval vessels. The Platt Pedestal interfaces with NATO G3 cone supporting both 7.62mm LMG hard mount cradle and Platt 40-50 Soft Mount and is compatible with various machine guns.

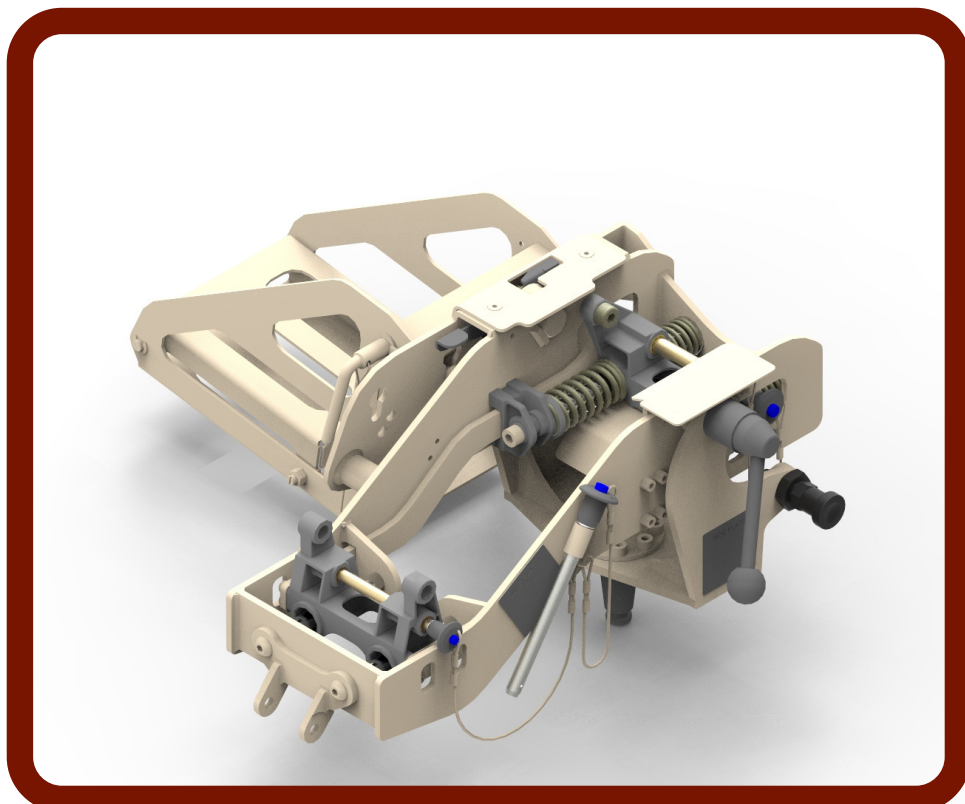
## KEY FEATURES

- Cost-effective, lightweight and modular design
- Integrated MG3 cone
- Compatible with 40-50 Soft Mount and 7.62mm Hard Mount
- Travel lock and ammunition can
- Optional front shield STANAG 1,2,3
- Low maintenance and easy integration and installation
- Extra capabilities available (e.g. spotlight bracket)

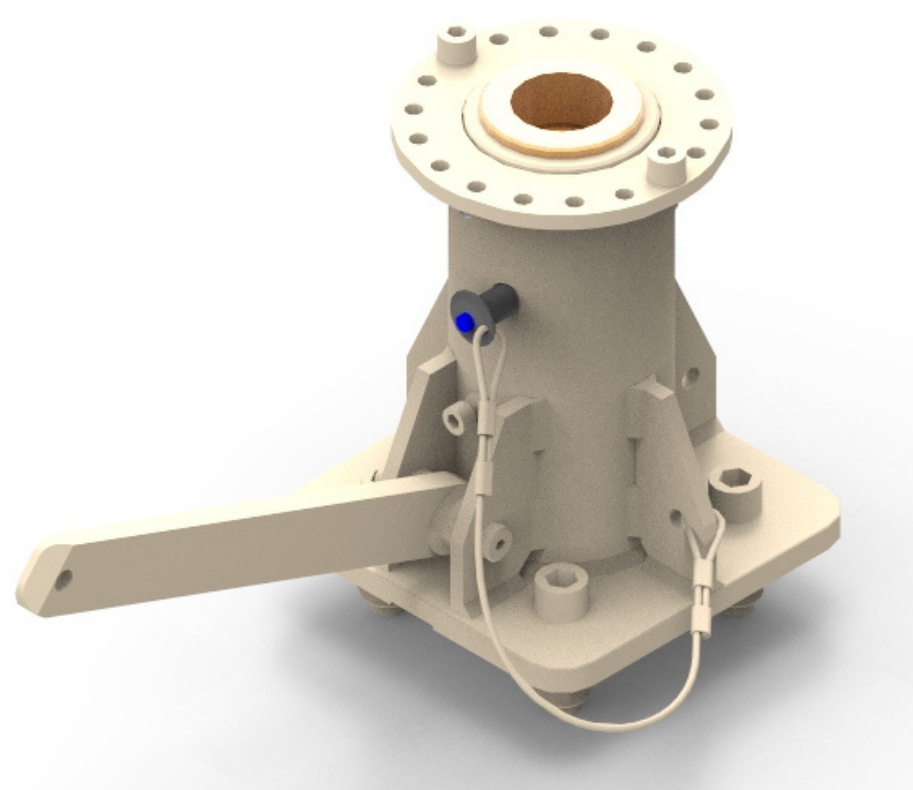
## Technical Specifications

<b>Weapons compatibility:</b>	M2HB 12.7mm; M3D High-speed .50 Cal; MAG58/M240, Minimi/M249; MK19 40mm AGL; H&K GMG; MK47; M60; PKM; MG3; LAG40; CIS-40
<b>Weight:</b>	6kg
<b>Dimensions (H x W):</b>	367mm H x 140mm W
<b>Elevation/Depression:</b>	+30°/-30°
<b>Weapon Traverse:</b>	360° (adjustable at 20° increments)

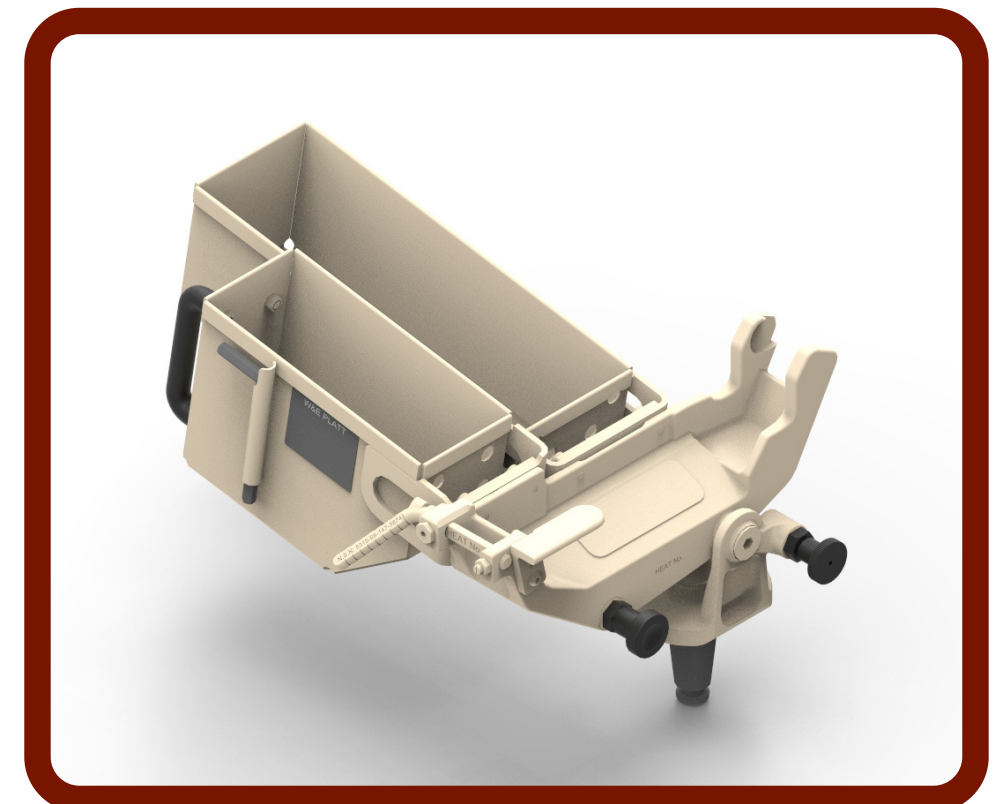
Customer customisation available upon request



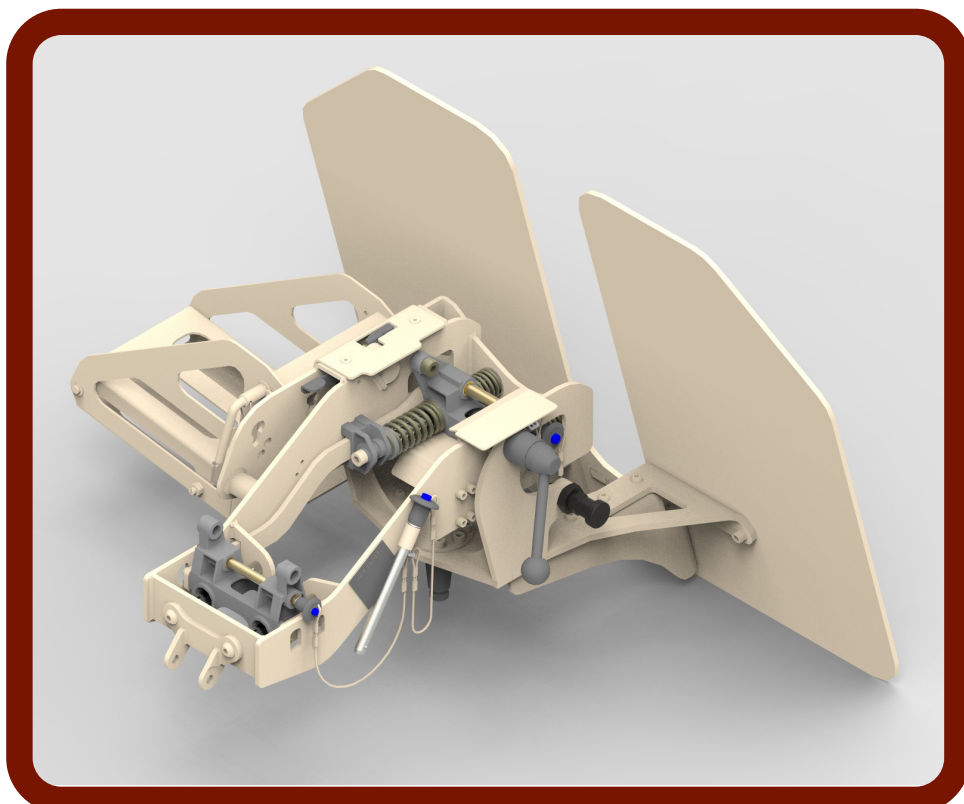
**40-50 Soft Mount**



**Pedestal**  
(Female NATO Pintle)  
Part No. P10645-100-10

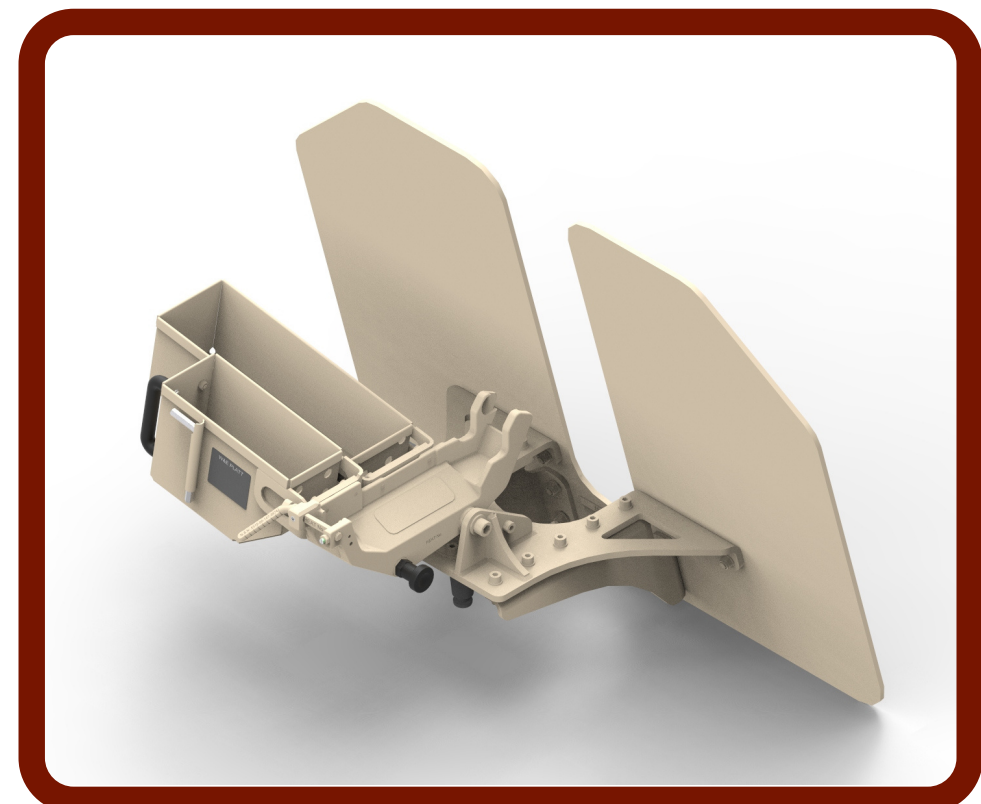


**7.62mm Hard Mount Cradle**



Soft Mount with Front shield option  
(STANAG Level 1,2,3)

**LAND and MARITIME APPLICATION**



Hard Mount with Front shield option  
(STANAG Level 1,2,3)

