



The Platt Marine Mounts combines a sturdy deck-mounted Pedestal with 40-50 Soft Mount or any mounting systems with G3 cone to provide a machine gun mount that is dependable and recoil-absorbing, ensuring maximum controllability and accuracy. Constructed of stainless steel to withstand the rigours of operations at sea, the Platt Marine Pedestal bolts directly to a standard naval mounting plate or specified surface.

KEY FEATURES

- Low profile and modular design
- Fixed and height-adjustable pedestal
- Optional front shield STANAG 1,2,3
- Low maintenance and easy integration and installation
- Extra capabilities available (e.g. catch-bag, sight bracket, shoulder bar)
- Applications: small patrol boats or larger combat ships

Technical Specifications

Weapons fit: MAG58/M240, Minimi/M249, M2QCB
12.7mm, MK19 40mm AGL

Elevation: +25° up to +60°

Depression: -10° Stop / -35° Override

Weapon Traverse: 360° (rotation stops at 10° increments)

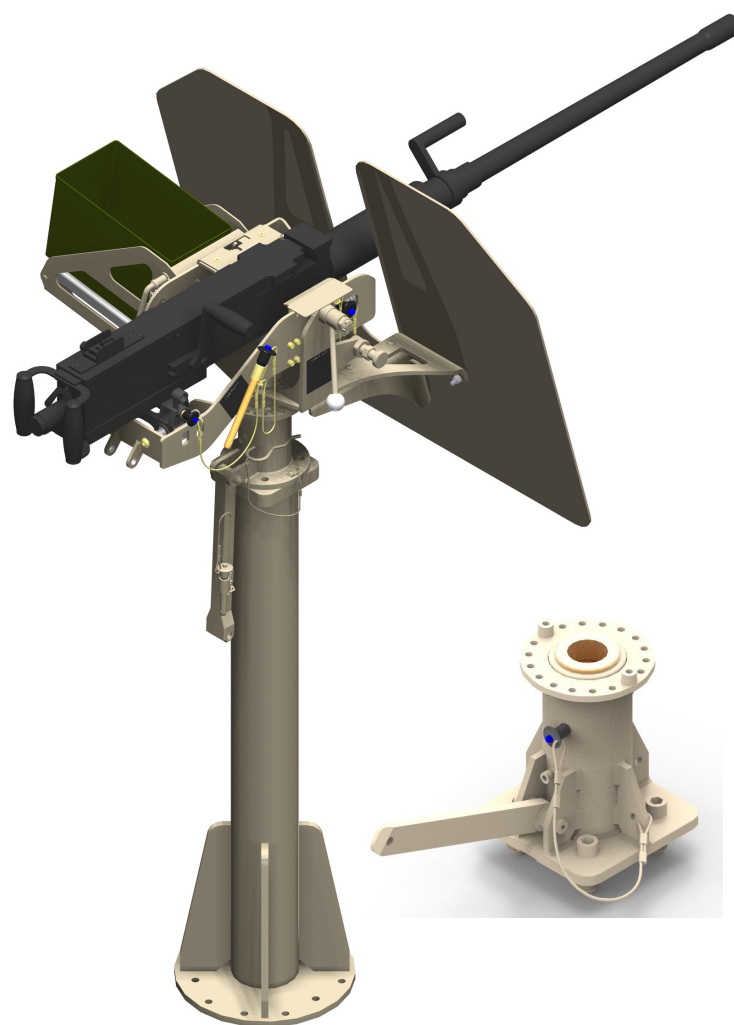
Weight: ~65kg (excluding the weapon and ammo)

MARINE PEDESTALS

Customer customisation available upon request



Pedestal Soft Mount
without front shield

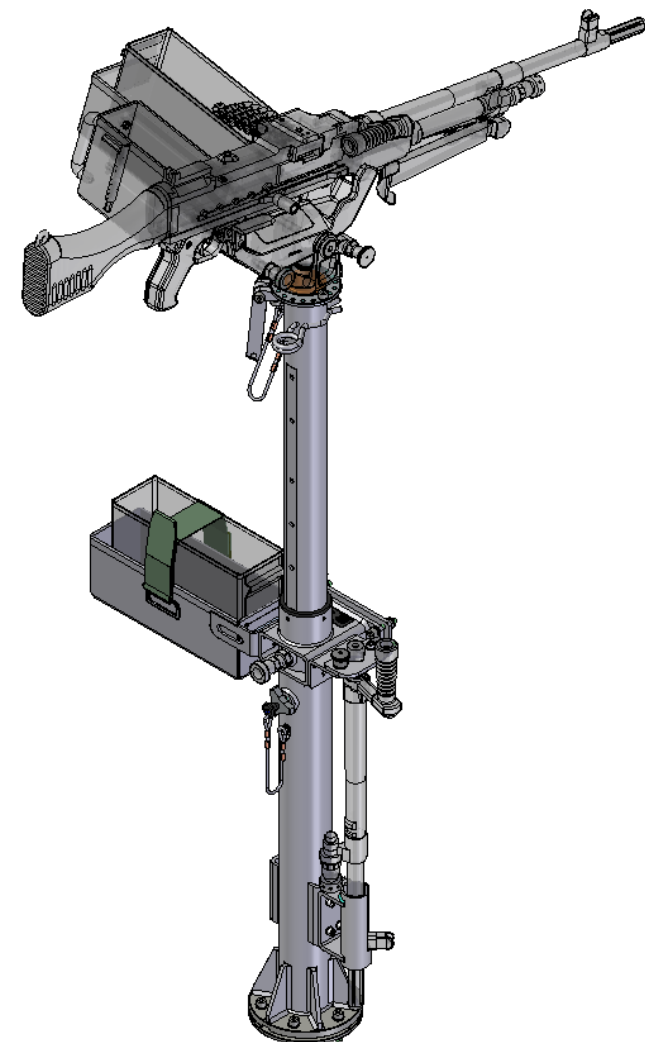


Pedestal Soft Mount with front
shield and short pedestal



Pedestal Soft Mount with
ammunition catch-bag

In service with
**AUSTRALIAN
CUSTOMS**



Height-adjustable pedestal with
spare ammunition can

FOLDAWAY MOUNT



Foldaway Mount is an ideal solution for a lightweight, cost-effective and quick-detach machine gun mount, suitable for naval and coast guard platforms.

Technical Specifications

Weapons fit: MAG58/M240, Minimi/M249

Weight: 16kg (excluding the weapon)

Elevation: +60° **Depression:** -15° Stop / -45° Override

Required structure: top rail/post access, minimum thickness 6mm



Customer adaptation is available upon request